



TRAVANCORE TITANIUM PRODUCTS LIMITED
Kochuveli, Thiruvananthapuram 695 021
Phone : 0471 2502163 email: contract@ttpltd.in

CD/CN/KV-30/Precipitation Tank/21-22

31/08/2021

Tender Notice

“Revamping of Precipitation Tank 1A”

Sealed quotations are invited from registered /experienced contractors in prescribed format for the work of“**Revamping of Precipitation Tank 1A**”.The tender shall be enclosed in an envelope, sealed and superscribed with Tender No., Date and due date and description as “**Revamping of Precipitation Tank 1A.**”The same shall then be forwarded to **Manager(Commercial), Travancore Titanium Products Limited, Kochuveli, Thiruvananthapuram, Kerala Pin 695 021.**

The tender form can be obtained from the office of the under signed between 9.00a.m and 4.00 p.m on all working days except Saturdays, after remitting the tender form cost.**Cost of tender form is Rs.600/-+GST @ 18%(Total Rs.708/-).**Tender document can also be downloaded from our website (www.travancoretitanium.com)and shall submit the Tender along with a DD against the tender form cost & EMD in favour of Travancore Titanium Products Limited payable at Thiruvananthapuram.

EMD: Rs. 4,900/- (by cash /DD)(refundable)

Sealed Tenders will be received at our office on all working days and the last date for submitting the same is on **14.09.2021** at 12 noon. Tenders received after the due date & time will not be accepted. Fax/email offers also will not be accepted.The bids will be opened on 2 pm on **14.09.2021**in the presence of the tenderers present at that time.

for TRAVANCORE TITANIUM PRODUCTS LIMITED

Manager(Commercial)

Encl: proforma

Signature of the bidder:

page 1of 1



TRAVANCORE TITANIUM PRODUCTS LIMITED
Kochuveli, Thiruvananthapuram 695 021
Phone : 0471 2502163 email: contract@ttpltd.in

Tender Notice

CD/CN/KV-30/Precipitation Tank/21-22

31/08/2021

Name of work: "Revamping of Precipitation Tank 1A".

Due date: 14.09.2021 up to 12 noon(date of submission of tenders)

Sealed quotations are invited from registered/experienced contractors the work of "Revamping of Precipitation Tank 1A". The work should be carried out as per the specific instructions contained in the scope of work and terms and conditions given below.

I. Scope of work

1. Dismantling the Agitator support beams and repairs/ replaces the corroded portions.
2. Removing the complete rubber lining inside the tank (Shell and bottom plate).
3. Completely cut and remove the existing tank without affect the other tanks & equipments and convey all materials to our stores MS yard.
4. Renewing bottom support beams like 8" **beams (12 meter)** and 5 no's Tapered beams. After fixing the support beams it is to be painted with two coats of enamel paint and one coat metal oxide painting.
5. Renewal of Bottom plate and it should be welded both sides.
6. Fabricate the tank as per the drawing **TTP /EP/C-683/1.**
7. Works includes scaffolding.
8. Transferring the waste materials from the site to the yard.
9. Tank diameter **4 meter and height is 3.63 meter.**
10. After competition of fabrication and inspection of the tank the agitator supports beams to fixed back as per the drawing.
11. Outside tank and supporting beams are to be painted with one coat of Zinc Chromate primer and two coats of rubber base paint.
12. All welded joints to be grinding smooth for rubber lining.

II. TTPL Scope

1. Dismantling of top cover, agitator, and reduction gear etc.
2. Removal of brick lining by civil section.

III. Terms and Conditions

1. All tools, tackles, materials, chain block etc required for the work has to be brought by the contractor.
2. The contractor should inspect the site before quoting the rate.

Signature of the Bidder:

Page 1 of 7

3. TTPL will supply all materials like, Bottom plate, MS segments, and cutting gas, welding rod , Zinc chromate primer and rubber based paint **except grinding wheels at free of cost.**
4. The area to be cleared by the contractor after completion of the work.
5. Safety permits to be obtained from the company safety department if required.
6. Fire screen to be provided by the contractor if required.
7. Cutting and transporting of the segments of tank should not affect any of the attached /near by the equipments or structure.
8. Stage by stage inspection for verticality and ovality of tank will be done by TTPL officer.

IV. Pre Qualification criteria

- 1.The bidder shall have experience in fabrication and commissioning of MS tanks within the last 3 years ending August 2021.
2. The bidder shall submit copies of work orders having value not less than 2 Lakhs in a single work order.

V. Work Completion Period:-

The work shall be completed within 60 days from the date of issue of Work Order.

VI. Payment terms:

100% payment after the installation erection and commissioning of the work.

VII. General Terms and Conditions:

1. Details of ESI & PF registration
 - i) ESI Registration number:
 - ii) PF Registration number.....

The bidder not having ESI and PF registration is not eligible to participate in the tender.

2. The bidder shall submit Tender document duly filled and signed along with the enclosures mentioned in the tender document within the time stipulated in the tender notice. Bids should bear the signature of the bidder in all pages.
3. The bidder shall remit the tender form cost and EMD as given in the tender document. The bids without remitting tender form cost and EMD and without signing tender document will be rejected.
4. The rate quoted shall be exclusive of GST and the GST applicable should be mentioned at the space provided in the Price format. If the bidder is below the

threshold limit of GST that should be mentioned in the price format and a self declaration shall be submitted with the tender.

5. The tender must be firm for a period of three months from the date of opening of the tender or till the tender is decided, whichever is earlier during which period the bidder will not be free to withdraw the tender. Any such withdrawal will entail forfeiture of the Earnest Money Deposit(EMD) and also result in the tenderer being made liable for the losses and damages sustained by the company in rearranging the work.
6. It is no binding on the company to accept the lowest offer. The company reserves the right to cancel/postpone the tender or to reject any or all offers without assigning any reason.
7. The tenderer should remit the Earnest Money Deposit (EMD) mentioned in this document in cash/DD and proof of thereof should be enclosed along with the tender. Other mode of remittance will not be accepted.
8. If any irregularity or fraudulent behavior is noticed on part of the contractor / his agents / representatives or the crew of the vehicle engaged by the contractor for the performance of the contract, the company reserves the right to take all suitable action deemed fit against the contractor and those concerned.
9. The Contractor will be responsible for meeting all the requirements of the various labour enactments applicable from time to time and should indemnify and keep indemnified the company against all losses and damages sustained by the company in this regard at all times.
10. The Contractor should comply with all relevant formalities under contract labour (Regulation and Abolition) Act 1971, such as display of rate of wages, date, place and time of payment of wages, date of payment of unpaid wages etc. they should also intimate the time, date and place of disbursement of wages to the supervisory Officer nominated under the above act for certification of payment to contract workers.
11. The Contractor should strictly adhere to the Safety Rules prevailing in the company failing which penalty are decided will be imposed. All required safety protective equipment is under the scope of Contractor. The Company is in no way responsible for any injury, disability or death of contractor's workmen due to non-compliance of safety regulations.
12. The workers engaged by the contractor shall wear the ID cards provided from the Main gate Security persons and displayed same while on work.
13. The Contractor should fix a display board on the materials of their own kept within the Company premises indicating the names of the contractor and Work Order No.
14. The work should be completed within the time limit given by the Officer in charge of the work.

15. The Company reserves the right to cancel the work order forfeiting security deposit if the work is not started within 10 days from the date of receipt of work order and also to terminate the contract at any time if the work is not done with proportionate progress to the satisfaction of the company officials and in all such cases the company will be at liberty to get the work done in any manner that the company thinks fits and all losses and damage sustain by the company in this regard will be recovered from contractor and his assets.
16. All the waste materials should be removed and cleared the work site immediately after the completion of the work.
17. Payment will be made after satisfactory completion of the work and on recommendation of the Officer-in-Charge of the work.
18. Company reserve the right to accept/reject any of the tender after evaluation with or without assigning reason no matter whether a Tenderer has quoted the lowest rate. All questions/disputes arising out or in connection with this shall be decided by the Managing Director of the company and his decision thereof shall be final and binding to all tenderers.
19. Any dispute or questions relating to or arising out of the finalization of this tender, if remains, shall be subject to the executive jurisdiction of the courts at Thiruvananthapuram.
20. **Agreement:** The liability of contractor/bidder under this contract will commence on the date specified in the letter of Intent/ Work order. The successful bidder shall be required to execute an agreement with TTPL immediately from the date of issue of work order if the contract value is above Rs 1,00,000/- for carrying out the work according to the terms and conditions of the contract given along with work order. The agreement shall be executed on Rs. 200/-Stamp paper and shall be in the proforma as specified by TTP .The provision contained in tender papers and other documents exchanged between the Bidder and TTP shall form part of the contract. The Earnest Money Deposit is liable to be forfeited in case the contractor fails to execute the Agreement within the stipulated period as mentioned above.
21. **Liquidated damages:**0.5% of the contract amount will be levied perweek as liquidated damages, subject to a maximum of 10% for delay in completion of the work beyond the stipulated period
22. **Security Deposit:** The successful tenderer shall provide a Security Deposit equal to 3% of the contract value immediately from the date of issue of work order for the due performance of the contract. The Security deposit shall not bear any interest and shall be released only after successful completion of contract. EMD of the successful bidder will be released after remitting SD.
23. **Validity of rates:** The quoted rate must be valid for a period for 90 days from the date of opening of the tender and till the completion of the work if the contract is awarded.
24. All workers engaged with the work shall have Police Clearance Certificate (PCC) and other formalities insisted by Security Department of TTPL.

25. Canteen charges will be deducted from the contractors bill as fixed by the canteen authorities.
26. If the Contractor fails to remit SD and execute agreement within the stipulated period, Company have the right to cancel the work order awarded to the successful bidder and the work will either be executed by L2 bidder or any other source at the risk and cost of the successful bidder.
27. **Tender Form Cost: Rs. 600 /- + GST @ 18% (Total Rs. 708/-)**
28. **Earnest Money Deposit (EMD): Rs. 4900 /- (refundable)**
29. **Exemption in Tender Form Cost and EMD is as per Govt. rules.**
30. **Due date of Submission of tender : 14.09.2021 upto 12.00 noon and will be opened at 2.00 p.m.** on the same day in the presence of those tenderers who are present at that time.
31. **Documents to be submitted along with the tender**
1. **Tender Document duly filled and signed in all pages**
 2. **Proof of Documents as per prequalification criteria**
 3. **Proof of Tender cost and EMD remittance**
 4. **Copy of ESI, PF, GST and MSME (if applicable) registration.**
32. Bids without remitting EMD /Tender cost or both will be rejected
33. Evaluation of bids: The evaluation of the bids will be based only on the documents submitted.
34. Deductions: All statutory deductions will be made from the contractor's bill as per rules. The contractor shall remit ESI and PF amount and the proof of remittance shall be furnished whenever company insists.

for TRAVANCORE TITANIUM PRODUCTS LIMITED



Manager(Commercial)

PARTICULARS OF TENDERER

1. Name of the Bidder:
2. (a) Registered office address of the Bidder:
(b) Address for correspondence:
3. Phone Nos.:
4. Mobile Nos.:
5. E-mail address:
6. Registration No.:
7. PAN:
8. GST Registration No.
9. ESI Registration No.
10. PF Registration No.
11. MSME (if applicable) registration number:
12. Name and address of Proprietor/ Partners/ Directors:

Declaration

We confirm that we have read and understood all tender conditions and we accept all tender conditions in its entirety.

Date:

Signature:

Name of Person signing:

Tenderer's Name and address with seal:

Signature of the Bidder:

Page **6** of **7**

PRICE PROFORMA

CD/CN/KV-30/Precipitation Tank/21-22

31/08/2021

Name of work: “Revamping of Precipitation Tank 1A”.

Due date: 14.09.2021 up to 12 noon(date of submission of tenders)

My lowest rate for the above mentioned scope of work:Rs..... (In figures)

Rupees.....(in words)

GST % :

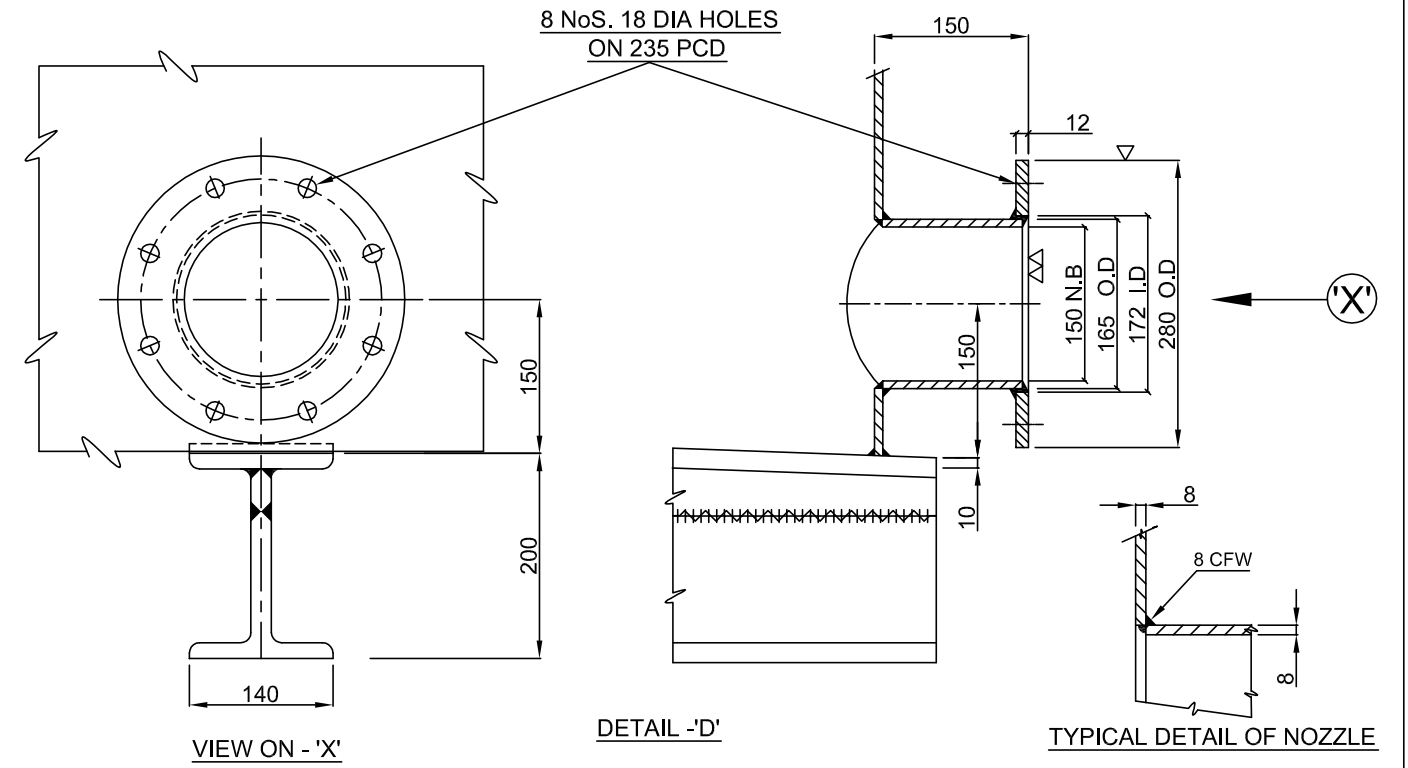
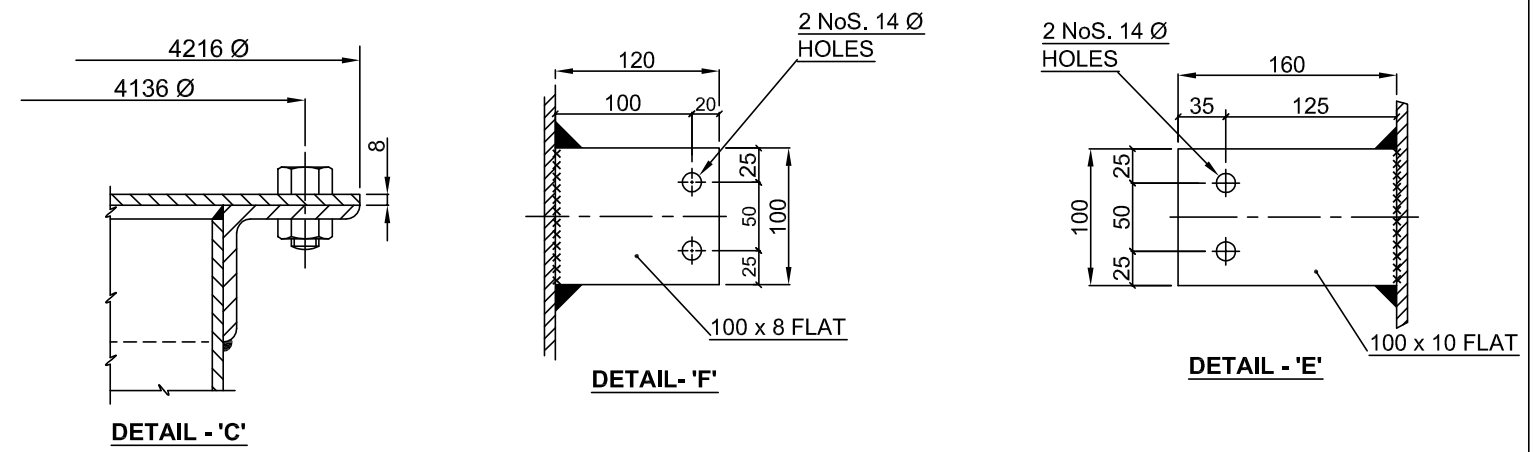
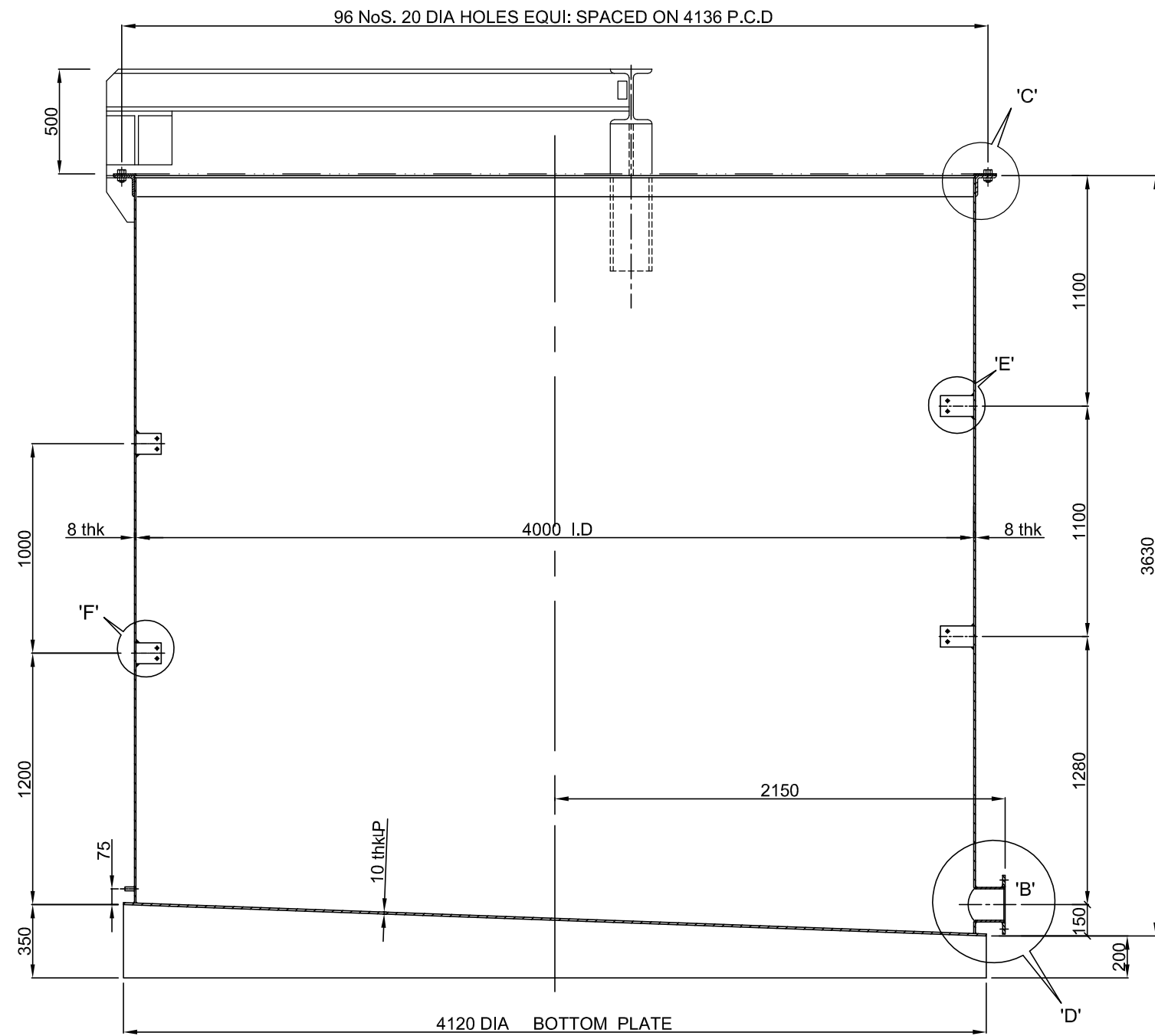
** Please mention whether the above rate is inclusive of GST or exclusive and specify the % of GST included or excluded. If the bidder is below threshold limit that also has to be mentioned.

Signature of the Tenderer :

Name & Address. :

Signature of the Bidder:

Page 7 of 7



NOTES:-

DESIGN DATA

DESIGN CODE : B.S.2654
 DESIGN PRESSURE : STATIC HEAD PRESSURE
 DESIGN TEMPERATURE : 130°C
 OPERATING PRESSURE : 5 mm Hg
 STATIC HEAD PRESSURE : FULL OF PROCESS LIQUOR
 OPERATING TEMPERATURE : 110°C
 CORROSION ALLOW : NULL
 CAPACITY : 33.5 m³
 LINING : 5mm RUBBER + 75 BRICK (BY OTHERS)

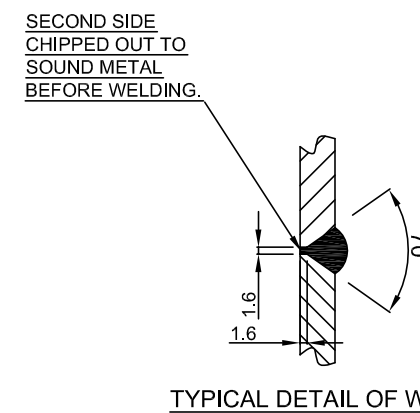
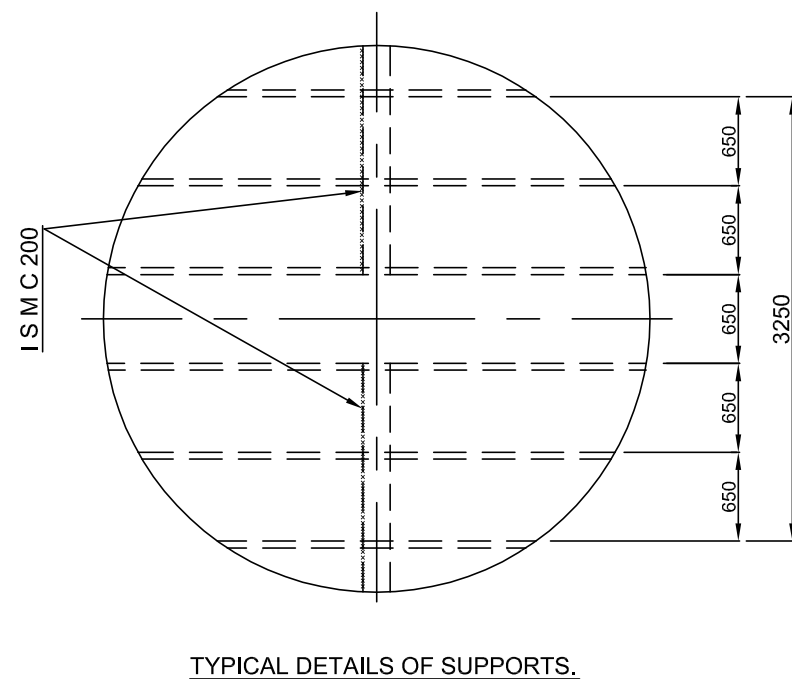
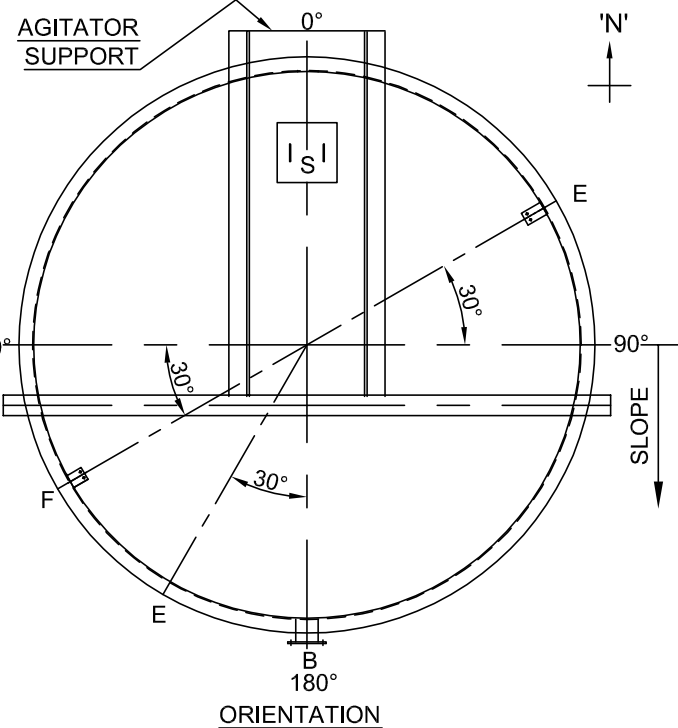
WELDING:-

ALL INTERNAL WELDS TO BE GROUND FLUSH AND RADIUS AT CORNERS.

TESTING:-

ALL EXTERNAL SURFACES TO BE PAINTED WITH ONE COAT OF RED OXIDE PAINT ON COMPLETION OF FABRICATION AND TESTING.
 A SECOND COAT AFTER TESTING AND APPROVAL BY ENGINEERS, TTP LTD.

ALL DIMENSIONS ARE IN M.M.



| | | |
|--|----------------------|--|
| TRAVANCORE TITANIUM PRODUCTS LIMITED THIRUVANANTHAPURAM - 695 021. | | File Name : EP |
| | | DRAWING NO: TTP/EP/C -683 ₁ |
| PRECIPITATION TANK | | SCALE |
| | | DATE : 05-06-1978 |
| REV. No. 1 | DRAWN M.S. TANK ONLY | 20-12-2001 |
| CADD BY: SS JAYAMOCHAN | | CHECKED BY: |
| TRACED BY: SALIM | | APPROVED BY: |
| REVISIONS | | DATE |